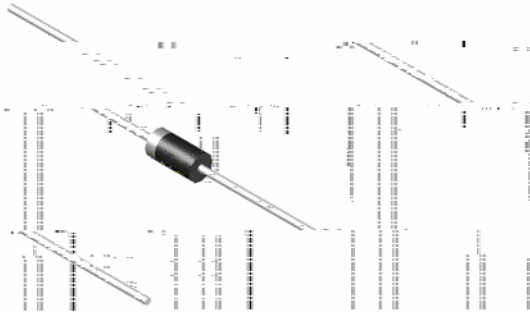




6) \* 7+58 6) \*

RoHS  
COMPLIANT

# 6XSHU )DVW 5HFRYHU\ 5HFWLILHU



)HDWXUHV

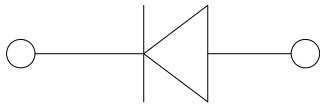
- " 8OWUDIDVW UHYHUVH UHFRYHU\ WLPH
- " /RZ OHDNDJH FXUUHQW
- " /RZ VZLWFKLQJ ORVVHV KLJK HIILFLHQF\
- " +LJK IRUZDUG VXUJH FDSDELQW\
- " \*ODVV SDVVLYDWHG FKLS MXQFWLRQ
- " 6ROGHU GLS y & SHUJ - (6' %

7\SLFDO \$SSOLFDWLRQV

- )RU XVH LQ KLJKLIEUDW & RQ FDLQH FWHLHZKHHOLQ
- DSSOLFDWLRQ LQ VZLWFKLQJ PRGH FRQYHUW
- IRU FRQVXPHU FRPSXWHU DQG WHOHFRPPXQL

0HFKDQLFDO 'DWD

- " 3DFNDJH \$/ '2
- 0ROGLQJ FRPSRXQG PHHWV 8/ 9 IODPP
- UDWLQJ 5R+6 FRPSOLDQW
- " 7HUPLQJLQVSODWHG OHDGV VROGHUDEOH S
- 67' DQG - (6' %
- " 3RODU & RRU EDQG W & R & W & RGH HQG



## v0D[LPXP 5DWLQJ 8QOHVV RWKHU\LVH VSHFLILHG

3\$5\$0(7(5	6<0%2	81,7	6) *	6) *	6) *	6) *	6) *	6) *	6) *	6) *
'HYLFH PDUNLQJ FRGH			6) *	6) *	6) *	6) *	6) *	6) *	6) *	6) *
0D[LPXP 5HSHWLWLYH 3HDN 9506	9506	9								
0D[LPXP ' & EORFNLQJ 9ROWDJH &	9									
\$YHUDJH )RUZDUG & XUHQW # +] VLQH ZDYH 5HVLVWDQFH										
)RUZDUG 6XUJH & XUHQW # +] +DOI VLQH ZDYH - F\FOH										
)RUZDUG 6XUJH & XUHQW # PV VTXDUH ZDYH - F\FOH										
& XUHQW VTXDUHG WLPH # PV "W "PV 7 5DWLQJ RI SHU'GLRGH										
7\SLFDO MXQFWLRQ FDSDFLWDQFH #0HDVXUHG DW 0+] DQG \$S SOL & 5HSHWLWLYH										
6WRUDJH 7HPSHUDWXUH	7VW	-							a	
-XQFWLRQ 7HPSHUDWXUH	7M	-							a	

## v(OHFWULFDO & K\UDFW 8QOHVV RWKHU\LVH VSHFLILHG

3\$5\$0(7(5	6<0%2	81,7	7(67 & 21', 7, 2 6) *
-------------	-------	------	-----------------------

0D[LPXP UHYHUVH UHFRYHU\ WLPH										
-------------------------------	--	--	--	--	--	--	--	--	--	--

6) \* 7+58 6) \*

---

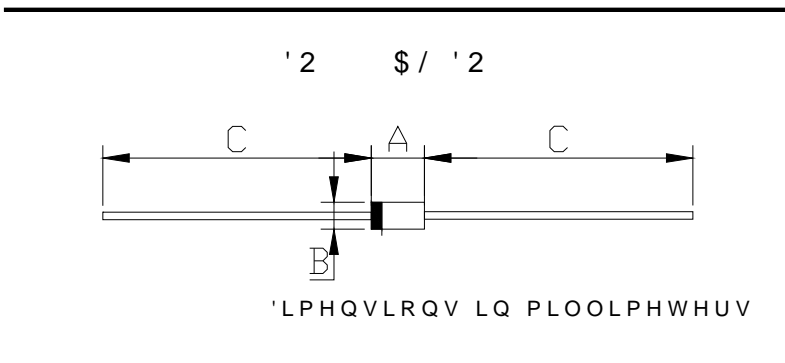
v7KHUPDO &KDUDÄ7WHUL800HFVV RWKHUÄLVH VSHFLILHG

3\$5\$0(7(5	6<0%2/	81,7 6) *	6) *	6) * 6) *	6) * 6) *	6) *	6) *
-------------	--------	-----------	------	-----------	-----------	------	------



6) \* 7 + 58 6) \*

v 2XWOLQH 'LPHQVLRQV



'2	\$/ '2	
'LP	0LQ	0D
\$		
%		
&		
'		



6) \* 7+58 6) \*

---

'LVFODLPHU

7KH LQIRUPDWLRQ V GHVFHQWV LQ WKH UDQGHU JKRQJ HDUQOZHF (OHFFWRUR QLF /VHG UHV  
ULJKW WR PDNLWKRDXWJHQZLVSHFIRU WDVLRQG F WVV GLV SFDU RYGHKHUHQILDEWQGLV L JQQ F  
RU RWKHU ZLVH

7KH SURGXFW OLVWHG KHUHL